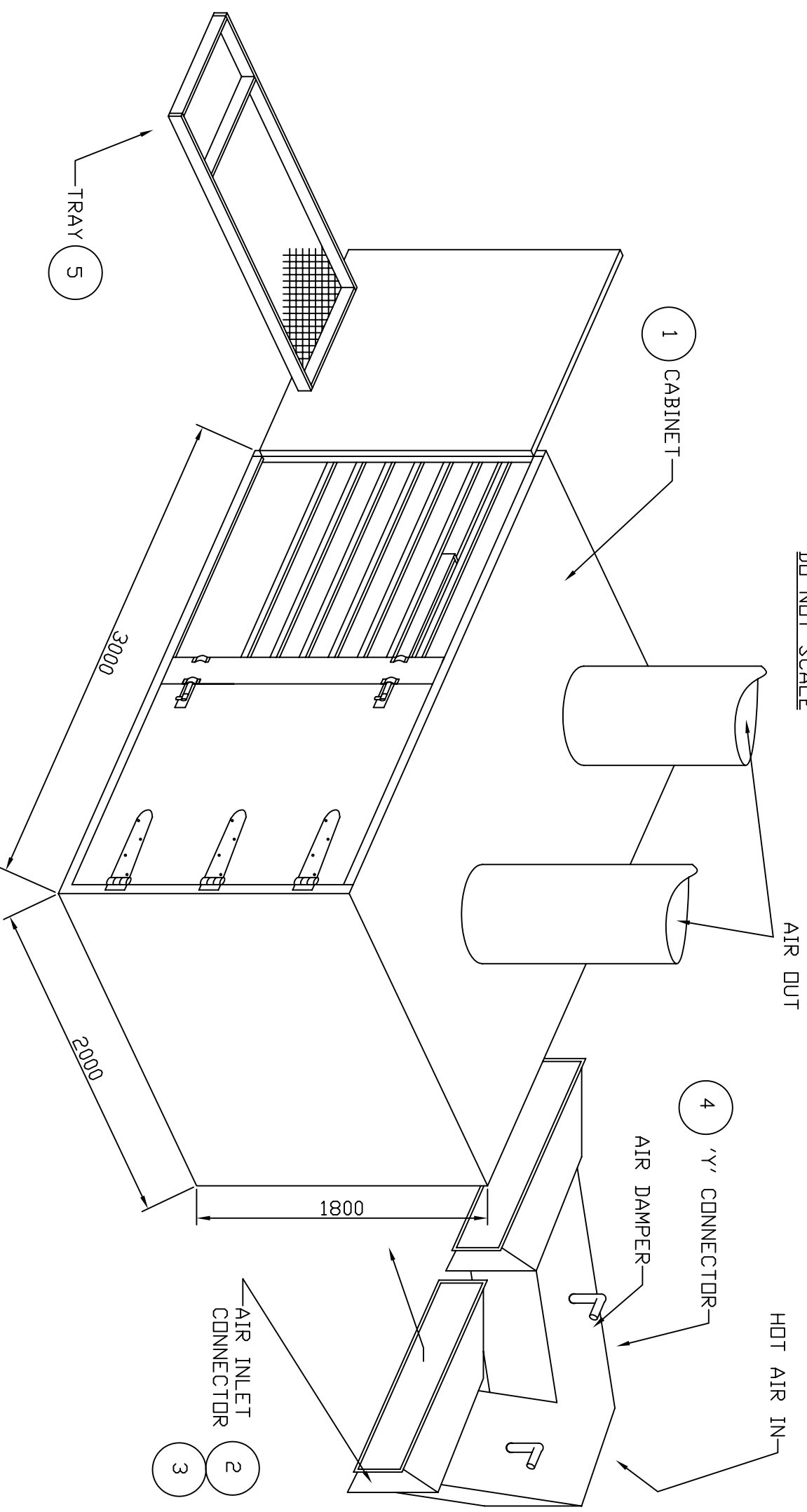


DD NDT SCALE

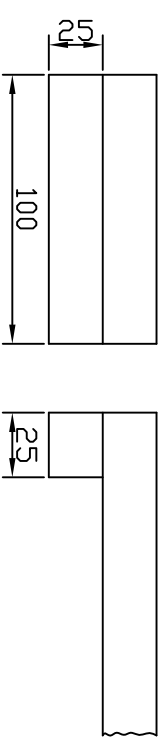
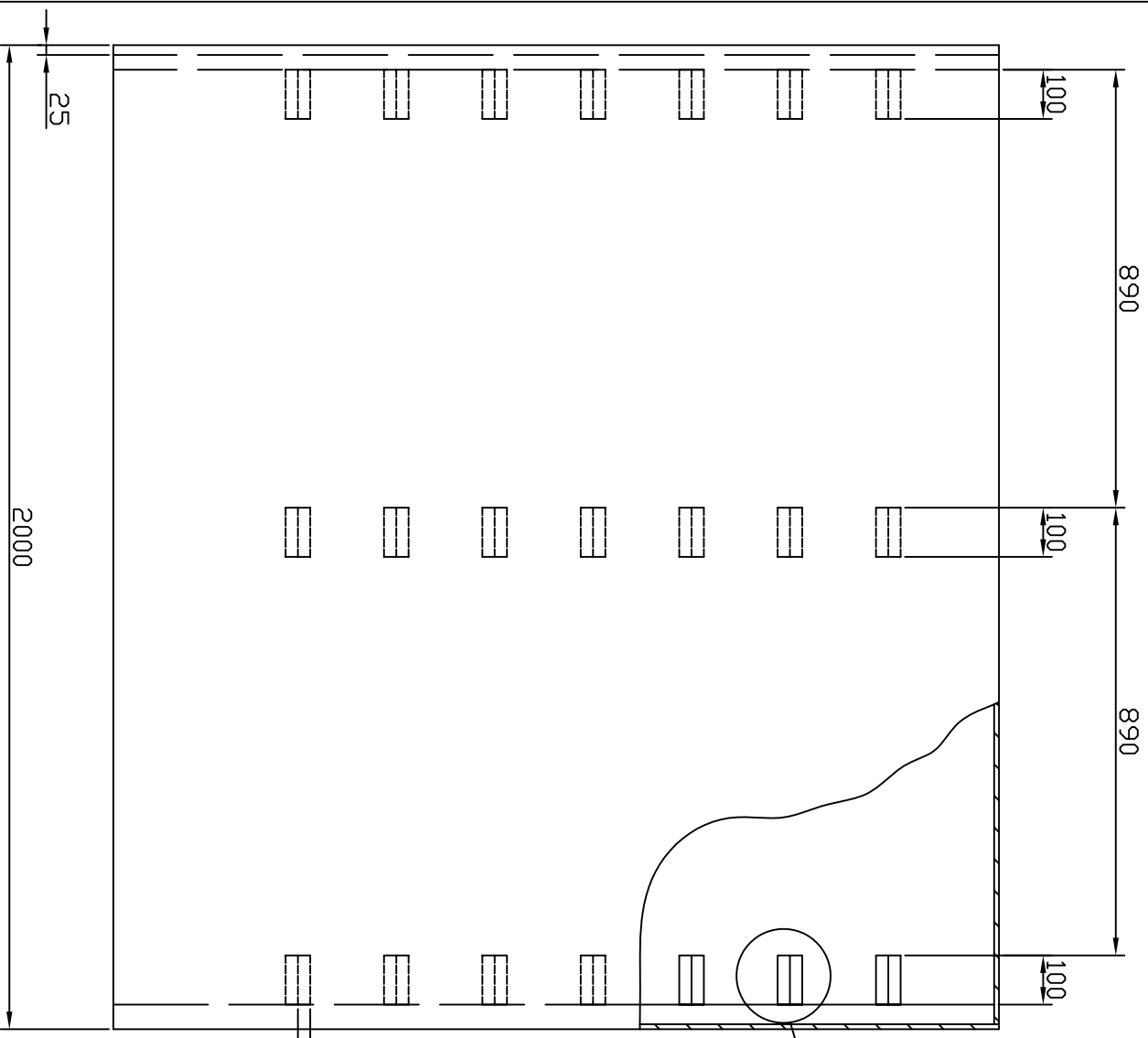


TOLERANCES  
UNLESS OTHERWISE  
STATED +/- 0,25

No.				
REVISIONS	Description	CHK	AP'D	DATE

Practical Action <a href="http://www.practicalaction.org">www.practicalaction.org</a> <a href="mailto:info@practicalaction.org">info@practicalaction.org</a>	TITLE BATCH TRAY DRYER	DRAWN A.R	TRACE -	CHK -	NDT TO SCALE
	DIMENSIONS IN MM	DRAWING No. TDB100			

DO NOT SCALE



SHELF SUPPORT DETAIL

TOLERANCES UNLESS OTHERWISE STATED +/- 0.25

SIDE VIEW - A

1 CABINET SUB ASSEMBLY

No.	Description	CHK	AP'D	DATE
REVISIONS				

Practical Action  
[www.practicalaction.org](http://www.practicalaction.org)  
[info@practicalaction.org.uk](mailto:info@practicalaction.org.uk)

TITLE BATCH TRAY DRYER  
 DIMENSIONS IN MM

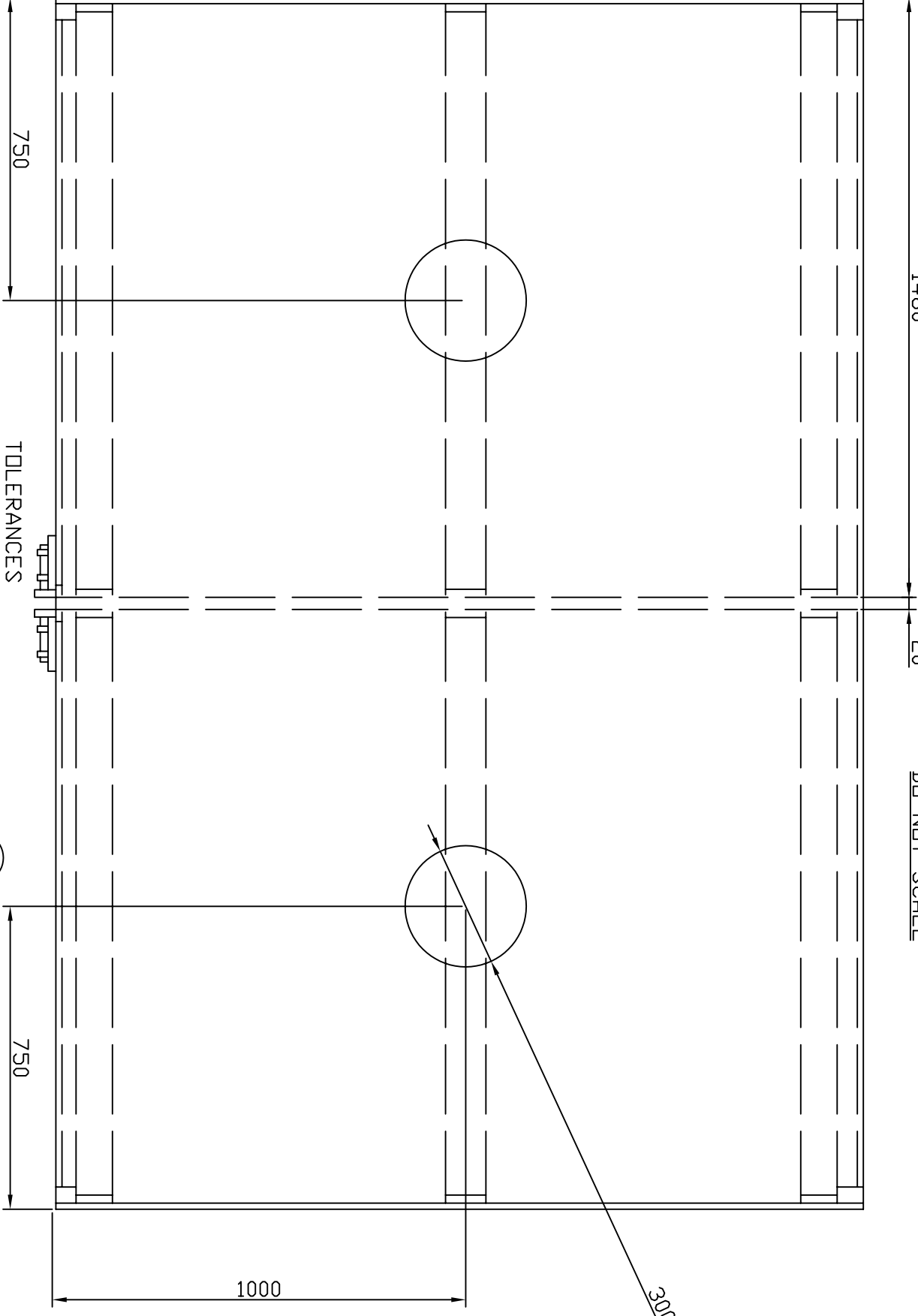
DRAWN A.R  
 TRACE -  
 CHK -  
 DRAWING No. TDB101

SHEET 1 OF 4  
 NOT TO SCALE

1480

20

DD NOT SCALE



TOLERANCES  
UNLESS OTHERWISE  
STATED +/- 0.25

1 CABINET SUB ASSEMBLY PLAN VIEW

No.	Description	CHK	AP'D	DATE

Practical  
Action  
[www.practicalaction.org](http://www.practicalaction.org)  
[info@practicalaction.org.uk](mailto:info@practicalaction.org.uk)

TITLE BATCH TRAY  
DRYER  
DIMENSIONS IN MM

DRAWN  
A.R

TRACE  
-

CHK  
-

DRAWING No. TDB102

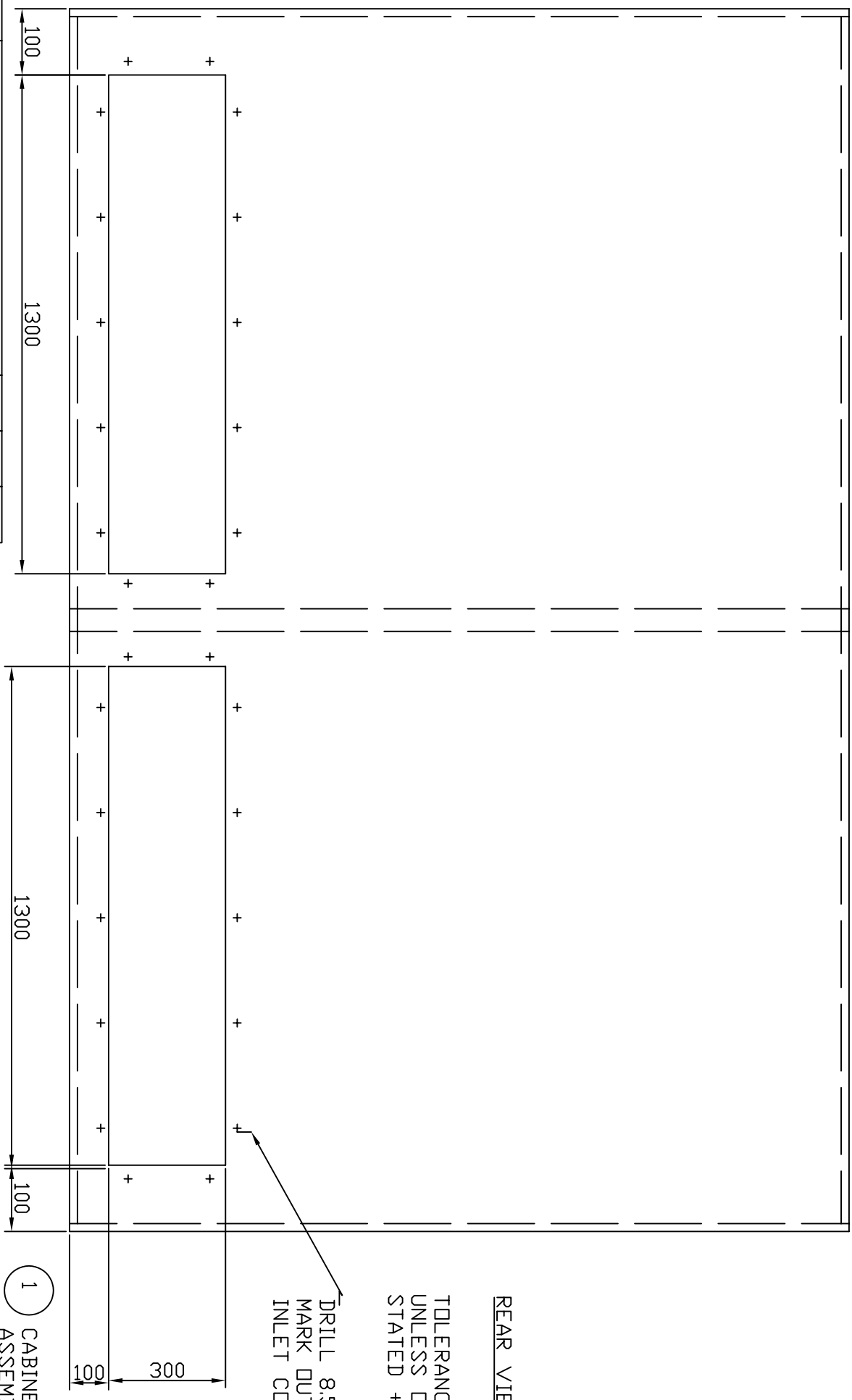
NDT TO  
SCALE

DD NDT SCALE

REAR VIEW - C

TOLERANCES  
UNLESS OTHERWISE  
STATED +/- 0.25

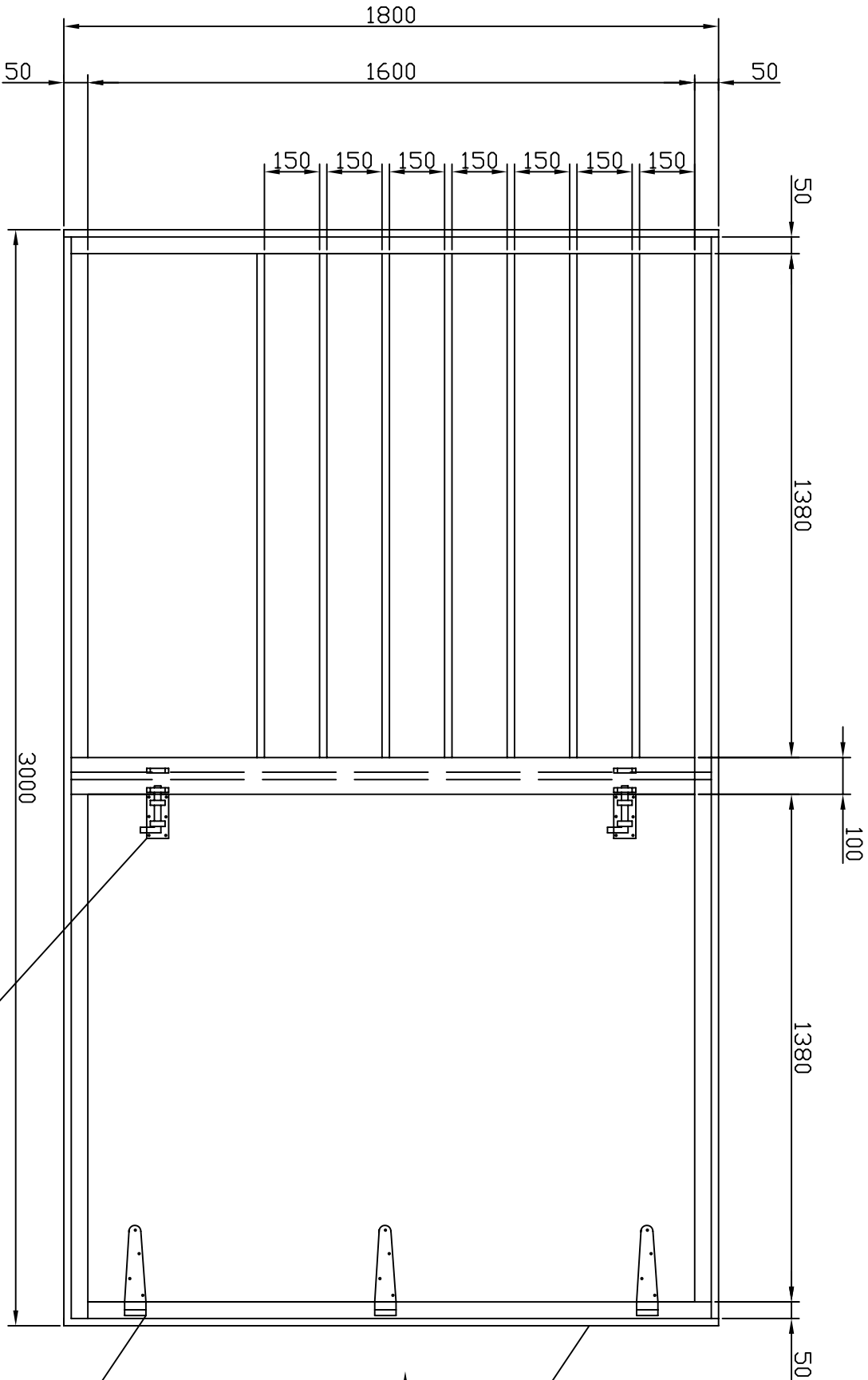
DRILL 8.5  
MARK OUT FROM AIR  
INLET CONNECTOR



1 CABINET SUB  
ASSEMBLY

Practical Action <a href="http://www.practicalaction.org">www.practicalaction.org</a> info@practicalaction.org uk		TITLE		DRAWN		TRACE		CHK		NDT TO	
Batch Tray Dryer		DIMENSIONS IN MM		A/R		-		-		SCALE	
Description		CHK		AP'D		DATE					
No. REVISIONS											

DD NDT SCALE



FRONT VIEW

TOLERANCES UNLESS OTHERWISE STATED +/- 0.25

1c 1 CABINET SUB ASSEMBLY - 1 OFF -

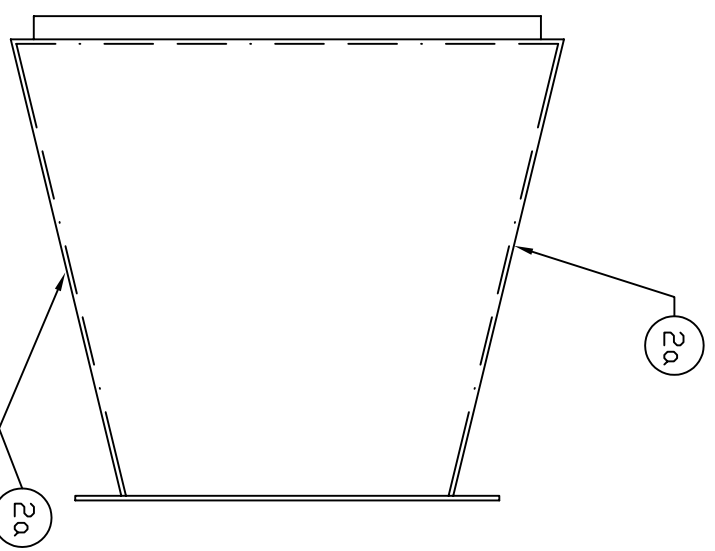
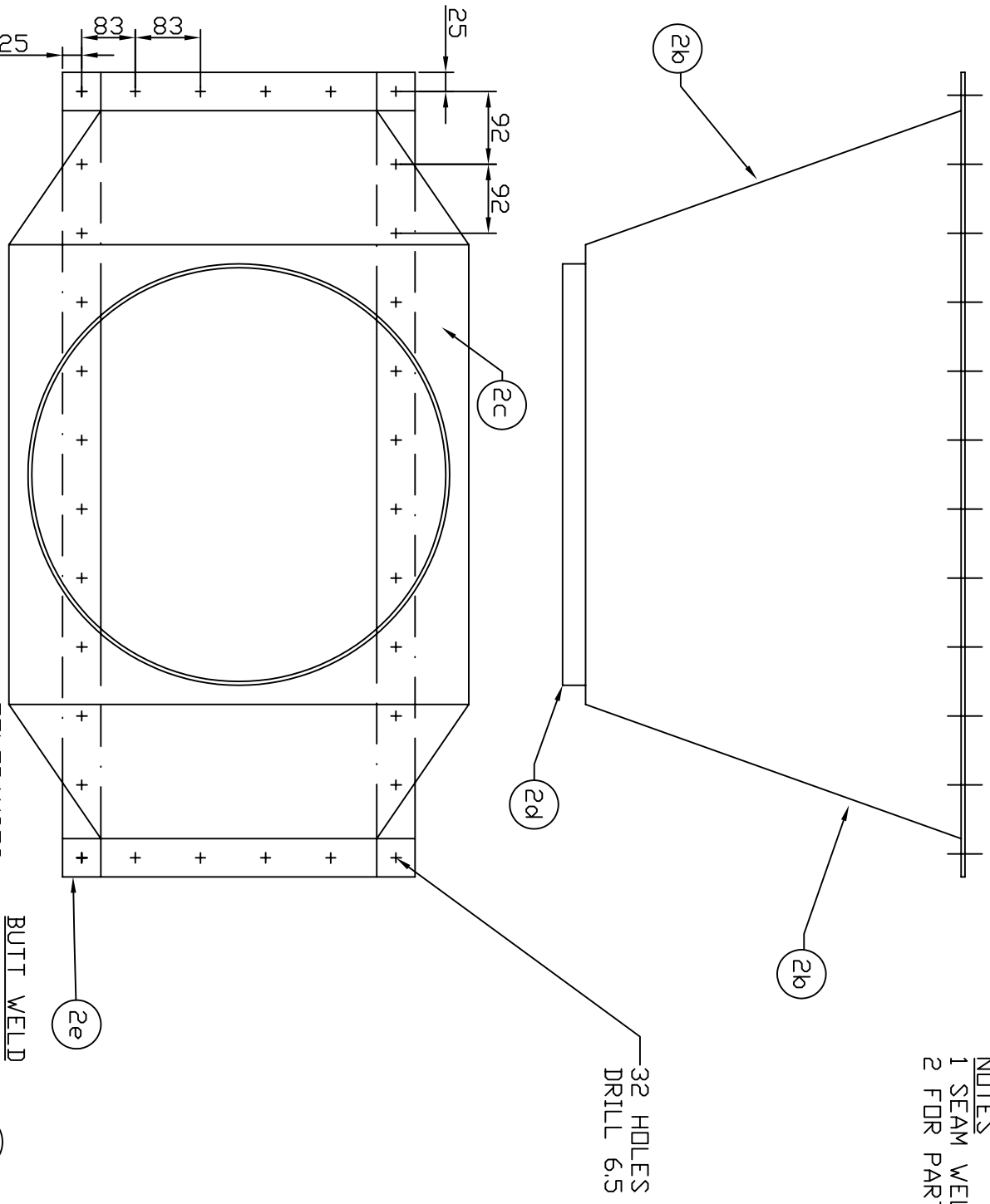
No.	Description	CHK	AP'D	DATE
2	4 x Slide Bolt 100mm			
1	6 x Tee Hinge 250mm			
REVISIONS				

Practical Action  
[www.practicalaction.org](http://www.practicalaction.org)  
[info@practicalaction.org.uk](mailto:info@practicalaction.org.uk)

TITLE	BATCH	TRAY	DRAWN	TRACE	CHK	NDT TO
DIMENSIONS IN MM	DRYER		A.R	-	-	SCALE
			DRAWING No.	TDB103		

DD NDT SCALE

NOTES  
 1 SEAM WELD ALL JOINTS  
 2 FOR PART DETAILS SEE SHEET 2



TOLERANCES  
 UNLESS OTHERWISE  
 STATED +/- 0.25

BUTT WELD

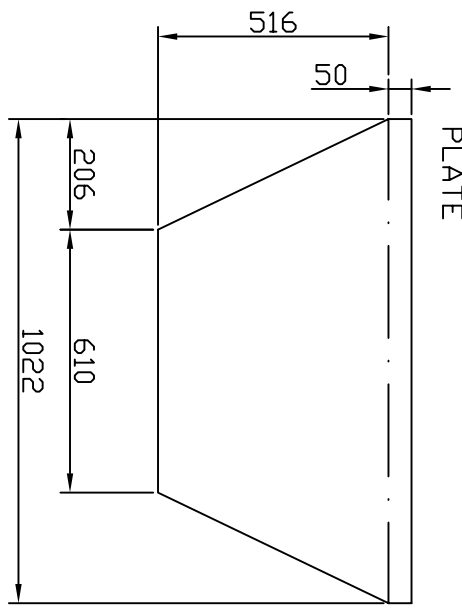
2 AIR INLET CONNECTOR SUB ASSEMBLY

SHEET 1 OF 2

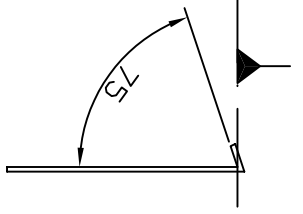
Practical Action www.practicalaction.org info@practicalaction.org.uk		TITLE		DRAWN		TRACE		CHK		NDT TO SCALE	
Action		BATCH TRAY DRYER		A.R		-		-		NDT TO SCALE	
Practical Action		DIMENSIONS IN MM		DRAWING No. TDB105							
TOLERANCES UNLESS OTHERWISE STATED +/- 0.25											
BUTT WELD											
2 AIR INLET CONNECTOR SUB ASSEMBLY											
SHEET 1 OF 2											
NO. REVISIONS		Description		CHK		AP'D		DATE			

DD NDT SCALE

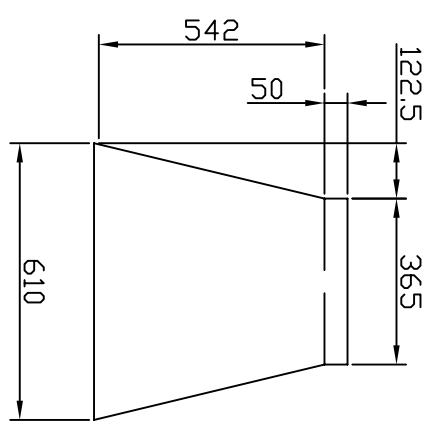
2a) TOP & BOTTOM PLATE  
2 OFF PER AIR INLET-  
18G 1mm MILD STEEL  
PLATE



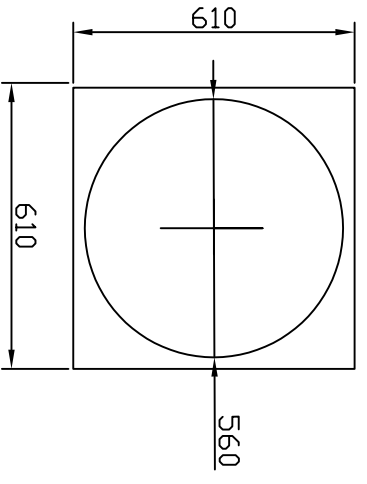
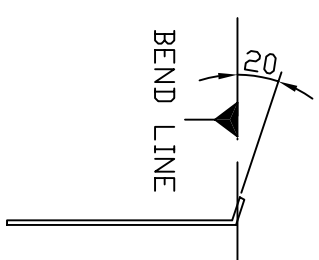
BEND LINE



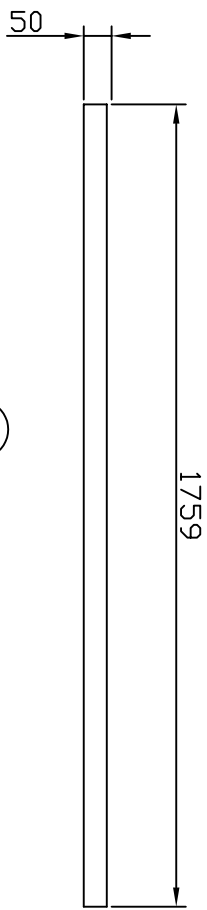
2b) SIDE SELECTION - 2 OFF  
PER AIR INLET - 18G 1mm  
STEEL PLATE



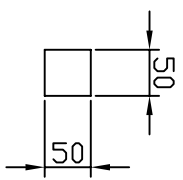
BEND LINE



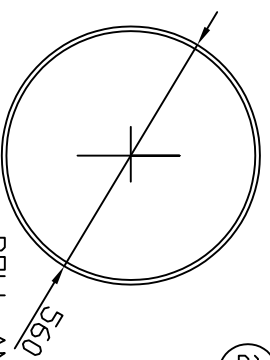
2c) END PLATE  
1 OFF PER AIR  
INLET - 18G 1mm MILD  
STEEL PLATE



2d) CONNECTION SLEEVE  
1 OFF PER AIR  
INLET - 18G 1mm  
STEEL PLATE



2e) FILLET - 4 OFF PER  
AIR INLET - MILD  
STEEL



ROLL AND BUTT WELD  
TO FORM THE SLEEVE

TOLERANCES  
UNLESS OTHERWISE  
STATED +/- 0.25

2) AIR INLET SUB ASSEMBLY

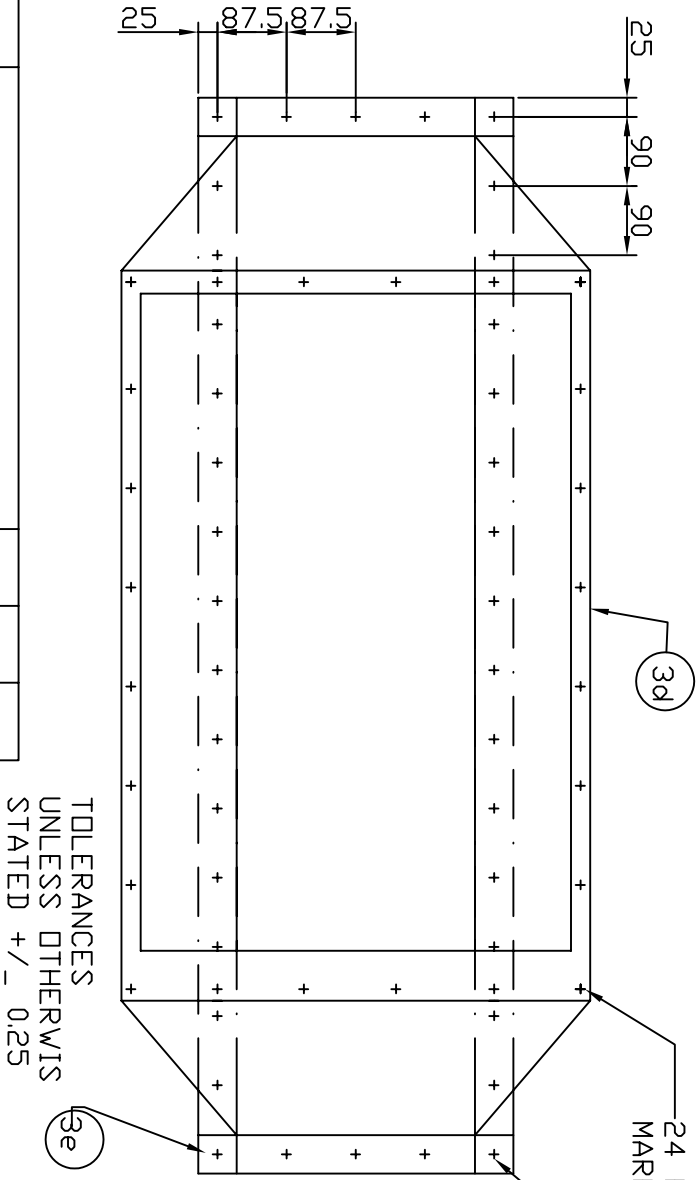
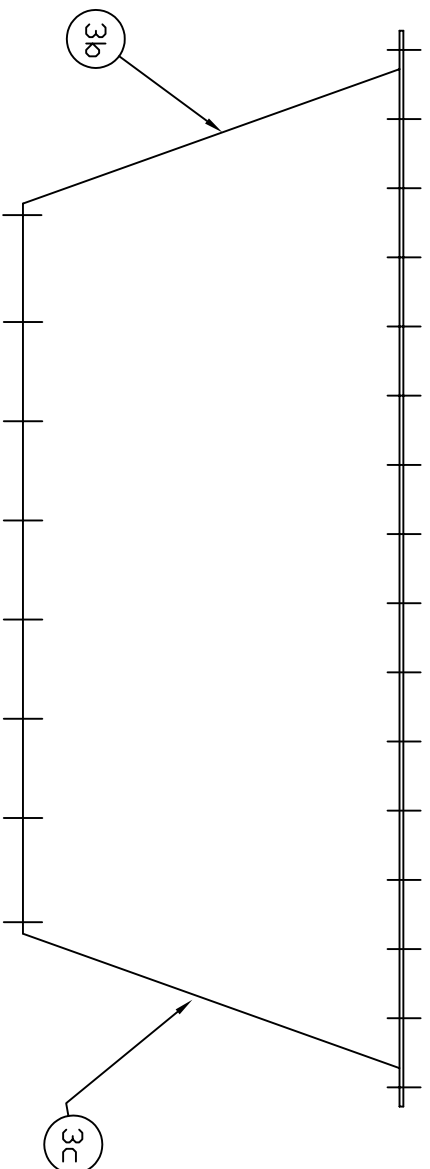
SHEET 2 OF 2

No.				
REVISIONS	Description	CHK	AP'D	DATE

Practical Action	TITLE	BATCH TRAY	DRAWN	TRACE	CHK	NDT TO SCALE
www.practicalaction.org info@practicalaction.org.uk	DIMENSIONS IN MM	DRYER	AIR	-	-	
			DRAWING NO.	TDB106		

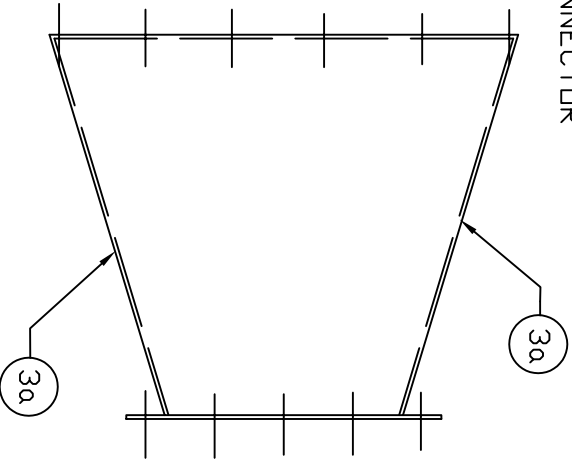
DD NDT SCALE

NOTES  
 1 SEAM WELD ALL JOINTS  
 2 FOR PART DETAILS SEE SHEET 2



TOLERANCES UNLESS OTHERWISE STATED +/- 0.25

3 AIR INLET ASSEMBLY



No.	Description	CHK	AP'D	DATE

Practical Action  
[www.practicalaction.org](http://www.practicalaction.org)  
[info@practicalaction.org.uk](mailto:info@practicalaction.org.uk)

TITLE BATCH TRAY  
 DIMENSIONS IN MM

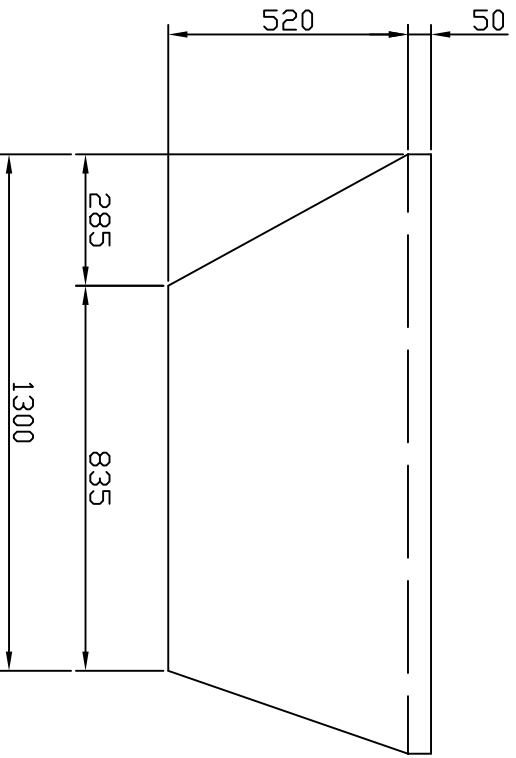
DRAWN A.R  
 TRACE -  
 CHK -  
 DRAWING NO. TDB107

NDT TO SCALE

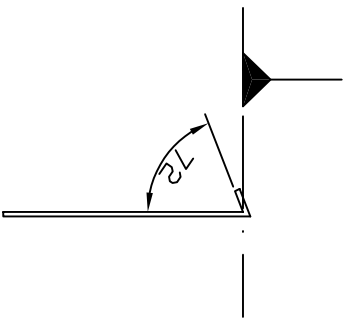


3a TOP & BOTTOM SECTION -  
2 OFF PER AIR INLET - 1  
mm MILD STEEL

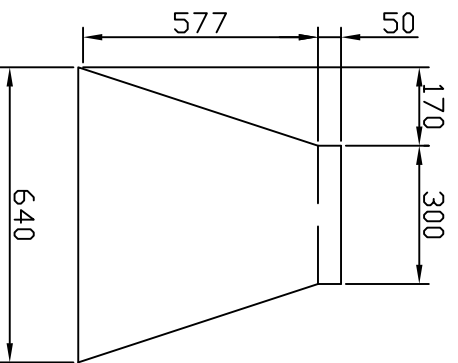
DD NDT SCALE



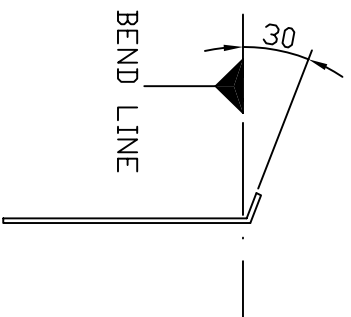
BEND LINE



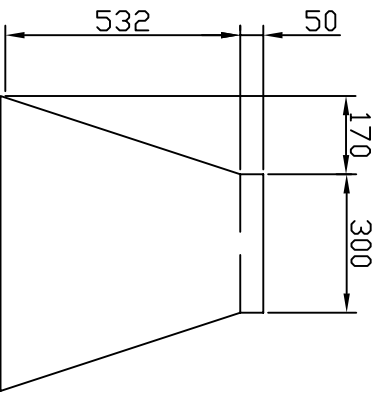
3b L.H.S SECTION -  
1 OFF PER AIR INLET - 1  
mm MILD STEEL



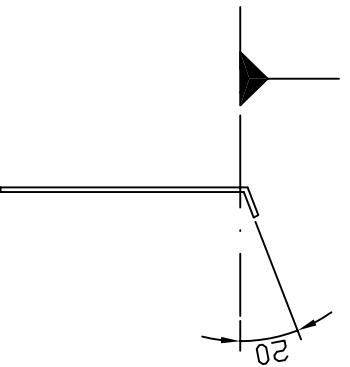
BEND LINE



3c R.H.S SECTION - 1 OFF PER AIR  
INLET - 1 mm STEEL PLATE

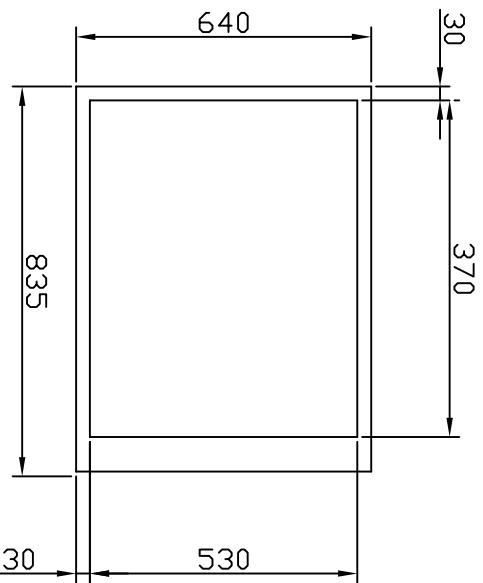


BEND LINE

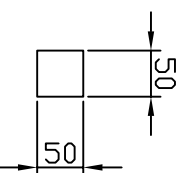


TOLERANCES  
UNLESS OTHERWISE  
STATED +/- 0.25

3d END PLATE - 1 OFF PER  
AIR INLET - 1 mm STEEL  
PLATE



3e FILLET - 4 OFF PER AIR  
INLET - 1 mm MILD STEEL  
PLATE



3 AIR INLET CONNECTOR  
SUB ASSEMBLY  
SHEET 2 OF 2

No.	Description	CHK	AP'D	DATE	Practical Action <a href="http://www.practicalaction.org">www.practicalaction.org</a> <a href="mailto:info@practicalaction.org">info@practicalaction.org</a>	TITLE	BATCH TRAY DRYER	DRAWN A.R	TRACE -	CHK -	NDT TO SCALE
		DIMENSIONS IN MM									
REVISIONS											

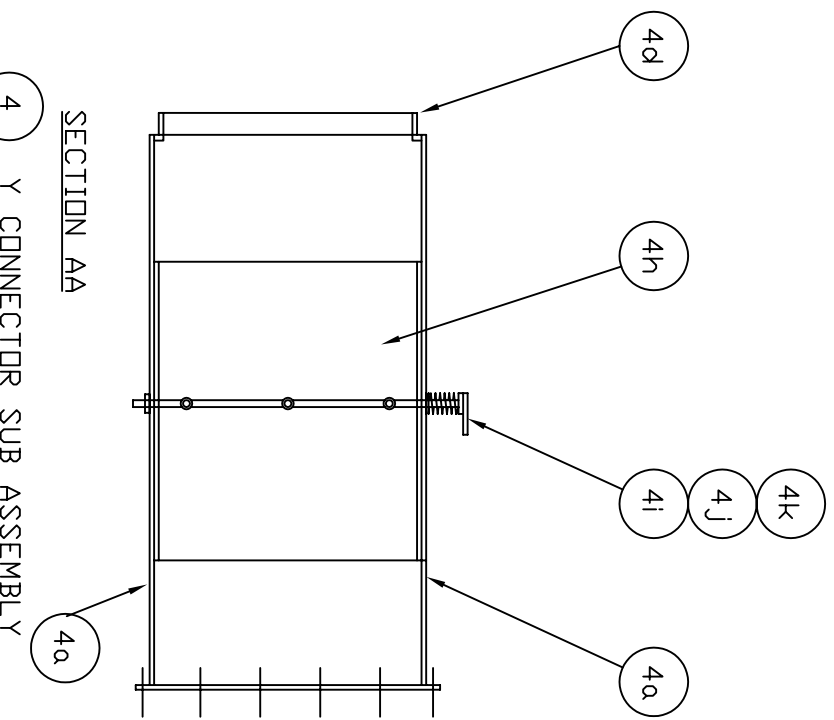
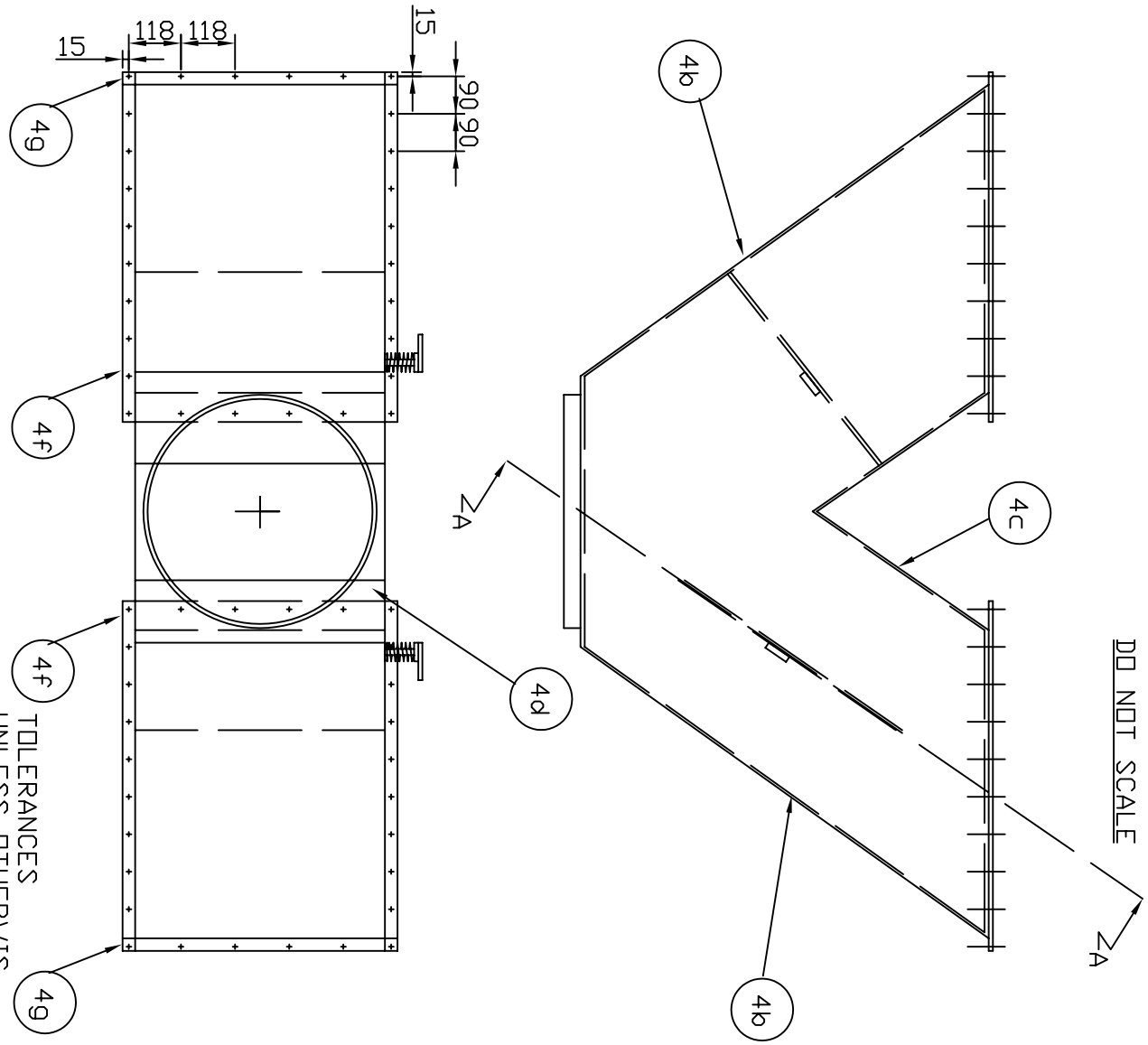
No.	Description	CHK	AP'D	DATE
REVISIONS				

Practical Action  
[www.practicalaction.org](http://www.practicalaction.org)  
[info@practicalaction.org.uk](mailto:info@practicalaction.org.uk)

TITLE BATCH TRAY DRYER  
 DIMENSIONS IN MM

DRAWN A.R  
 TRACE -  
 CHK -  
 DRAWING No. TDB109

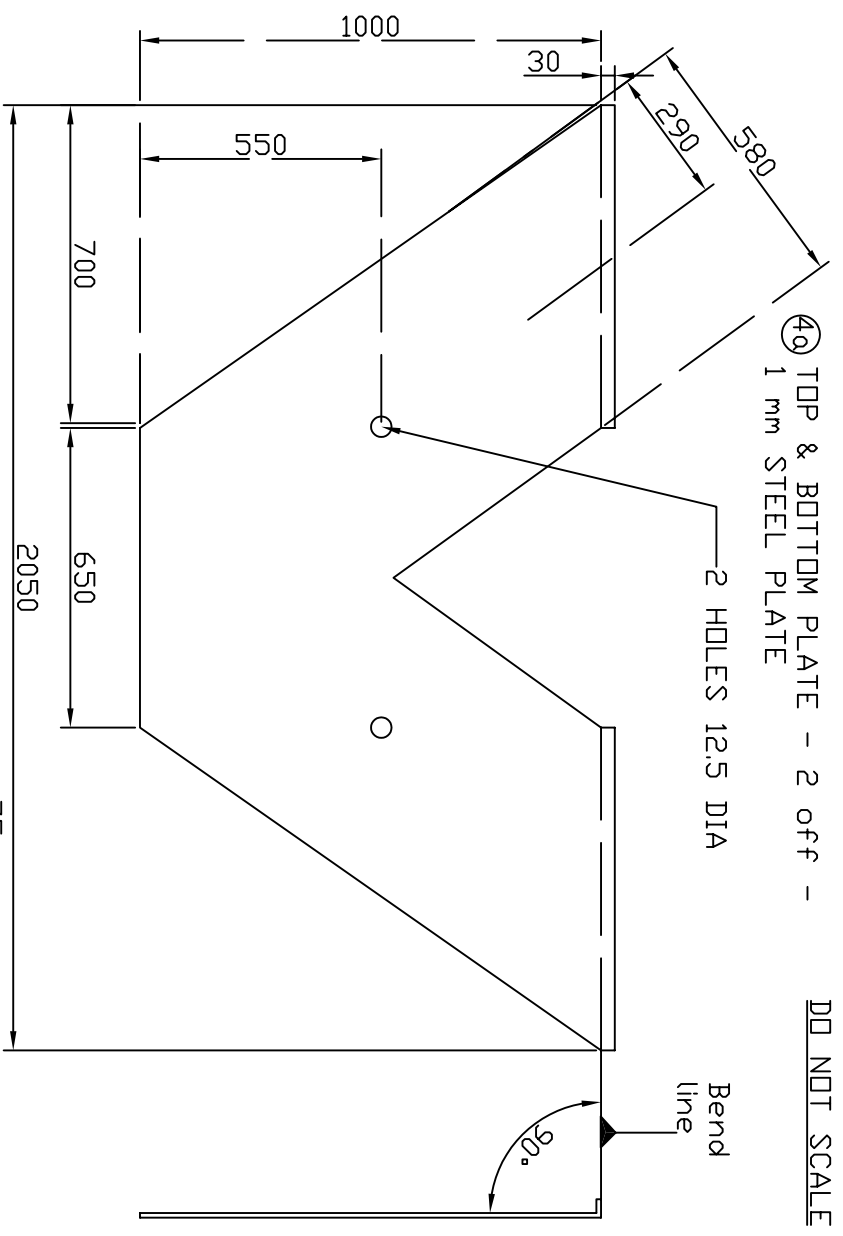
SHEET 1 OF 3  
 NDT TO SCALE



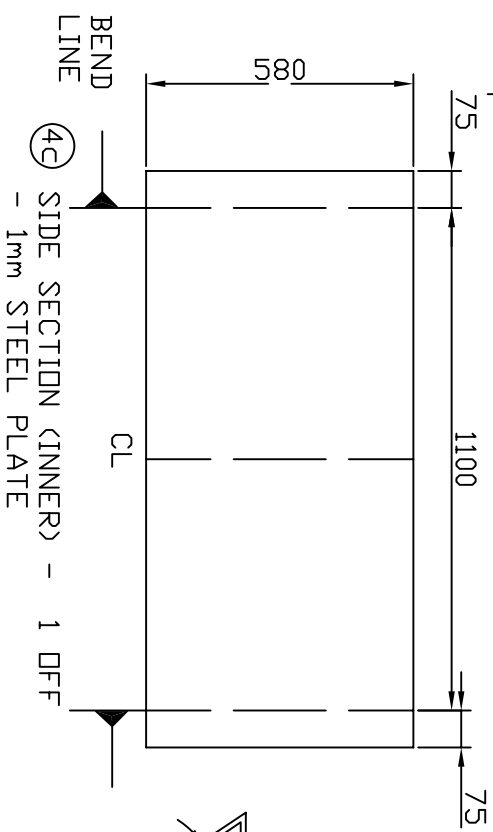
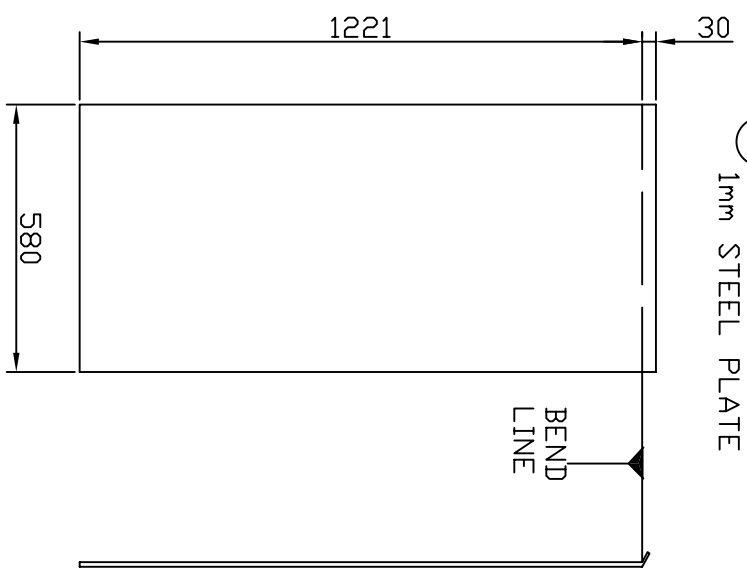
NOTES  
 1 SEAM WELD ALL PARTS  
 2 FOR PART DETAILS SEE SHEET 2 AND 3

DO NOT SCALE

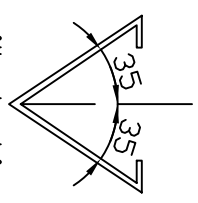
4a) TOP & BOTTOM PLATE - 2 OFF -  
1 mm STEEL PLATE



4b) SIDE SECTION (OUTER) - 1 OFF -  
1mm STEEL PLATE

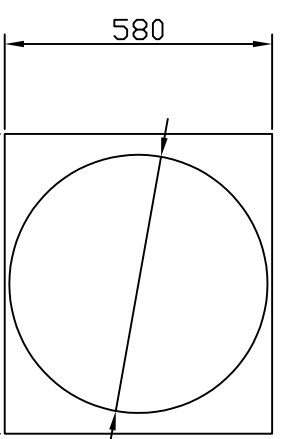


4c) SIDE SECTION (INNER) - 1 OFF -  
1mm STEEL PLATE



TOLERANCES  
UNLESS OTHERWISE  
STATED +/- 0.25

4) Y CONNECTOR SUB ASSEMBLY



4d) END PLATE - 1 OFF -  
1mm STEEL PLATE

NO.	Description	CHK	AP'D	DATE
REVISIONS				

Practical Action	www.practicalaction.org
Info@practicalaction.org.uk	

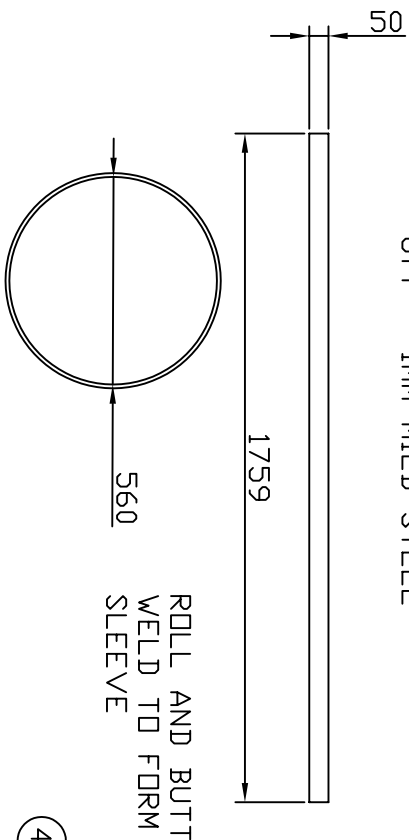
TITLE	BATCH TRAY
	DRYER
DIMENSIONS IN MM	

DRAWN	TRACE	CHK
A/R	-	-
DRAWING No. TDB110		

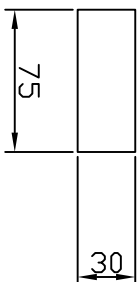
	NDT TO SCALE
SHEET 2 OF 3	

DD NDT SCALE

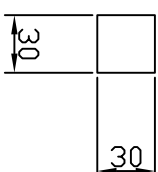
4e CONNECTION SLEEVE - 1  
off - 1mm MILD STEEL



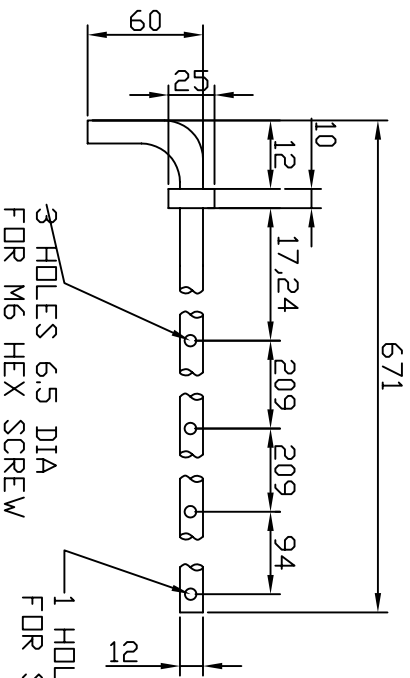
4f FILLET - 4 DFF -  
1mm MILD STEEL  
PLATE



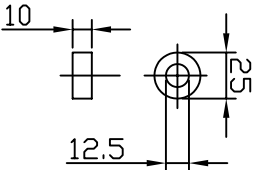
4g FILLET - 4 off -  
1mm MILD STEEL  
PLATE



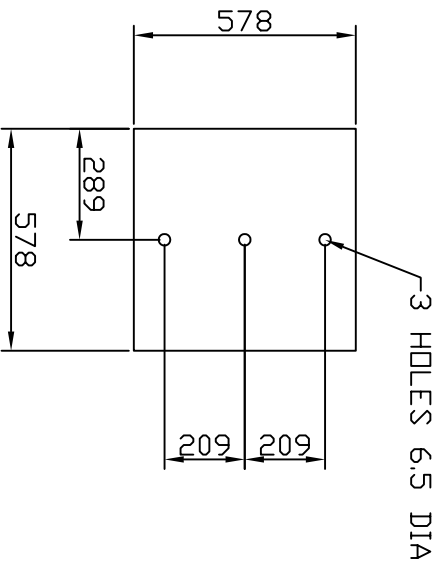
4i DAMPER HANDLE - 2  
DFF - MILD STEEL



4j DAMPER STOP - 2  
DFF - MILD STEEL

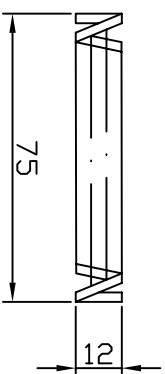


4h DAMPER - 2 DFF -  
1mm MILD STEEL  
PLATE



TOLERANCES  
UNLESS OTHERWISE  
STATED +/- 0.25

4k DAMPER SPRING - 2 DFF  
- SPRING STEEL



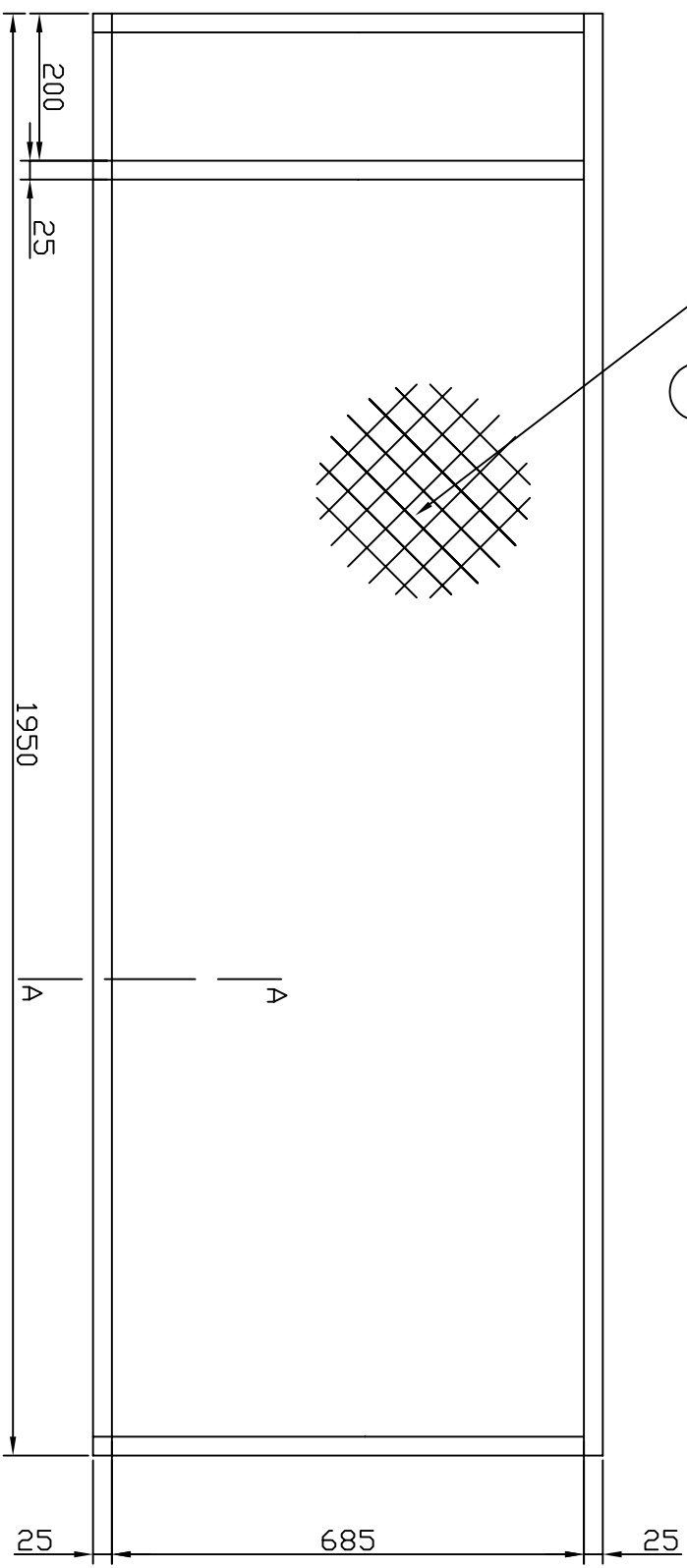
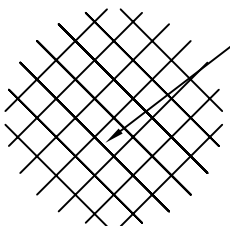
4 Y CONNECTOR SUB ASSEMBLY

SHEET 3 of 3

No.	Description	CHK	AP'D	DATE	Practical Action www.practicalaction.org info@practicalaction.org.uk	TITLE BATCH TRAY DRYER	DRAWN A.R.	TRACE -	CHK -	NDT TO SCALE
REVISIONS						DIMENSIONS IN MM	DRAWING No. TDB111			

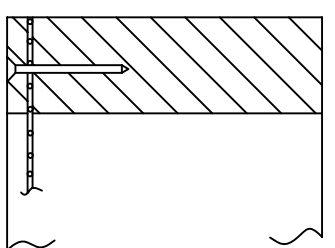
DD NDT SCALE

5b 12 MESH CHICKEN WIRE



5b FRAME - 28 DFF - SOFT WOOD

75  
6



SECTION - AA

TOLERANCES  
UNLESS OTHERWISE  
STATED +/- 0.25

5 TRAY ASSEMBLY

No.	Description	CHK	AP'D	DATE

Practical  
Action  
[www.practicalaction.org](http://www.practicalaction.org)  
[info@practicalaction.org.uk](mailto:info@practicalaction.org.uk)

TITLE BATCH TRAY  
DRYER  
DIMENSIONS IN MM

DRAWN  
A,R

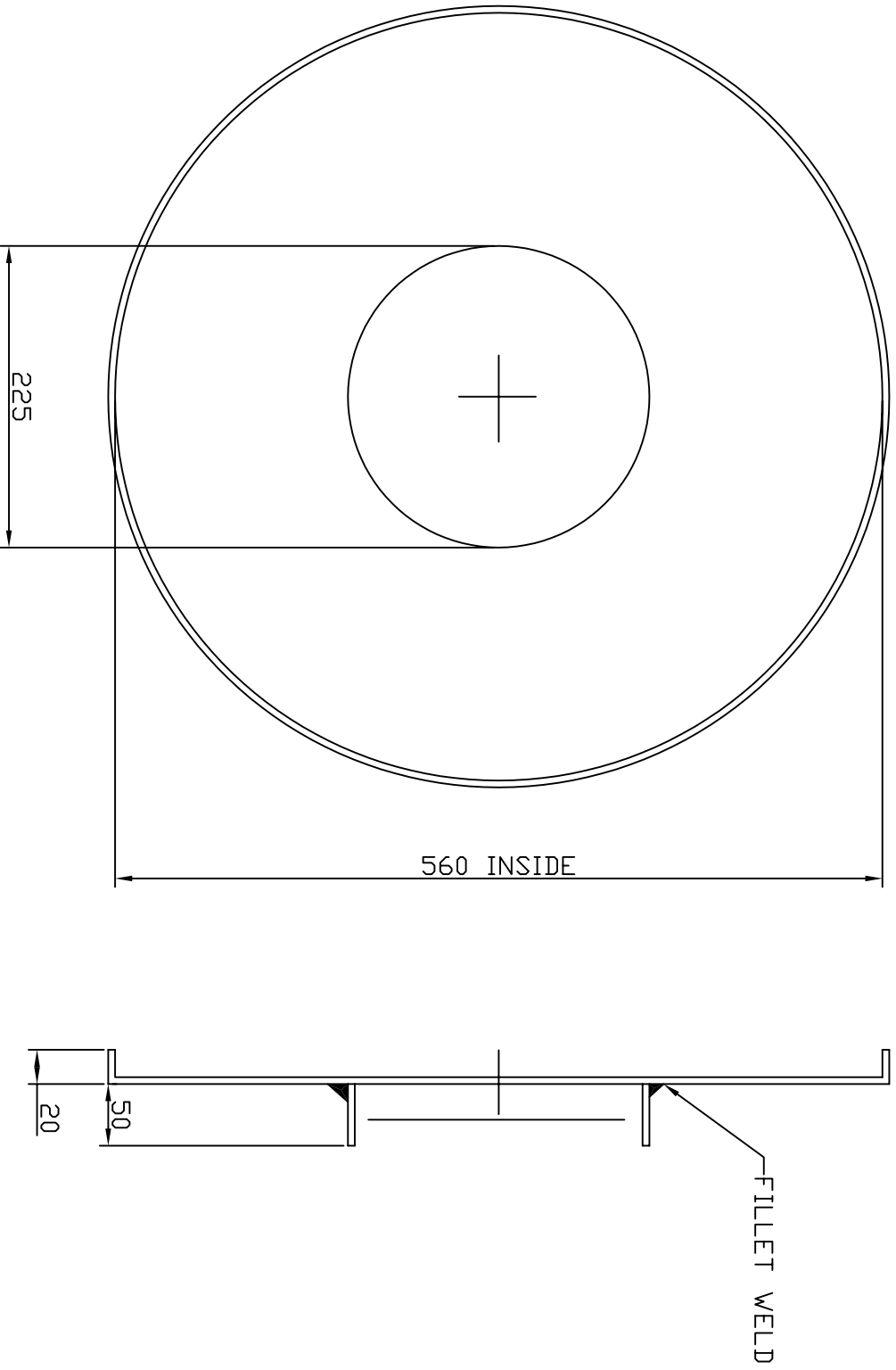
TRACE  
-

CHK  
-

NDT TO  
SCALE

DRAWING NO. TDB112

DD NDT SCALE



TOLERANCES  
UNLESS OTHERWISE  
STATED +/- 0.25

6 ADAPTOR- 1 OFF- 1 mm MILD STEEL PLATE

Practical Action <a href="http://www.practicalaction.org">www.practicalaction.org</a> info@practicalaction.org uk		TITLE		BATCH	TRAY	DRAWN	TRACE	CHK	NDT TO	
		DIMENSIONS IN MM			DRYER	A/R	-	-	SCALE	
No. REVISIONS	Description	CHK	AP'D	DATE	DRAWING NO. TDB113					

1	CABINET SUB ASSY	TDB101	1			
1	CABINET SUB ASSY	TDB102				
1	CABINET SUB ASSY	TDB103				
1	CABINET SUB ASSY	TDB104				
1a	WOODEN FRAME		1	HARD WOOD		
1b	TEE HINGE		6		250 mm LONG	
1c	SLIDE BOLT		4		100 mm LONG	
2	AIR INLET SUB ASSY	TDB105	2			
2	AIR INLET SUB ASSY	TDB106				
2a	TOP & BOTTOM SECTION		4	18G 1mm MS PLATE		
2b	SIDE SECTION		4	18G 1mm MS PLATE		
2c	END PLATE		2	18G 1mm MS PLATE		
2d	CONNECTION SLEEVE		2	18G 1mm MS PLATE		
2e	FILLET		8	MILD STEEL		
3	AIR INLET SUB ASSY	TDB107	2			
3	AIR INLET SUB ASSY	TDB108				
3a	TOP & BOTTOM SECTION		4	18G 1mm MS PLATE		
3b	LHS SECTION		2	18G 1mm MS PLATE		
3c	RHS SECTION		2	18G 1mm MS PLATE		
3d	END PLATE		2	18G 1mm MS PLATE		
3e	FILLET		8	MILD STEEL		
4	Y CONNECTOR SUB ASSY	TDB109	1			
4	Y CONNECTOR SUB ASSY	TDB110				
4	Y CONNECTOR SUB ASSY	TDB111				
4a	TOP & BOTTOM PLATE		2	18G 1mm MS PLATE		
4b	OUTER SIDE PLATE		2	18G 1mm MS PLATE		
4c	INNER SIDE PLATE		2	18G 1mm MS PLATE		
4d	END PLATE		2	18G 1mm MS PLATE		
4e	CONNECTOR SLEEVE		1	18G 1mm MS PLATE		
4f	FILLET		4	MILD STEEL		
4g	FILLET		4	MILD STEEL		
4h	DAMPER		2	MILD STEEL		
4i	DAMPER HANDLE		2	MILD STEEL		
4j	DAMPER STOP		2	MILD STEEL		
4k	DAMPER SPRING		2	SPRING STEEL		
5	TRAY SUB ASSY	TDB112	28			
5a	FRAME		28	SOFT WOOD		
5b	MESH		28	CHCIKEN WIRE		
6	ADAPTOR	TDB113	1/2	18G 1mm MS PLATE		
ITEM	DESCRIPTION	PAGE NO	QTY	MATERIAL	COMMENTS	CHD

PARTS LIST

Practical Action <small>www.practicalaction.org</small> <small>infoserv@practicalaction.org.uk</small>	TITLE	BATCH TRAY DRYER	DRAWN	TRACE	CHK		NOT TO SCALE
			A.R	-	-		